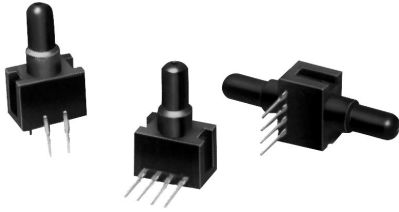


Pressure Sensors

Gage and Differential/Unamplified-Compensated

26PC Series

Temperature Compensated Sensors



FEATURES

- Lowest priced sensor with temperature compensation and calibration
- Variety of gage pressure port configurations - easily and quickly modified for your special needs
- Operable after exposure to frozen conditions
- Choice of termination for gage sensors
- Calibrated Null and Span
- Temperature compensated for Span over 0 to 50°C
- Provides interchangeability
- Can be used to measure vacuum or positive pressure
- Ideal for wet/wet differential applications

26PC SERIES PERFORMANCE CHARACTERISTICS at 10.0 ±0.01 VDC Excitation, 25°C

	Min.	Typ.	Max.	Units
Excitation	---	10	16	VDC
Repeatability & Hysteresis	---	±0.20	---	%Span
Response Time	---	---	1.0	msec
Input Resistance	5.5 K	7.5 K	11.5 K	ohms
Output Resistance	1.5 K	2.5 K	3.0 K	ohms
Stability over One Year	---	±0.5	---	%Span
Weight	---	2	---	grams

Total error calculation, see page 105.

ENVIRONMENTAL SPECIFICATIONS

Operating Temperature	-40° to 85°C (-40° to +185°F)
Storage Temperature	-55° to +100°C (-67° to +212°F)
Compensated Temperature	0° to +50°C (32° to +122°F)
Shock	Qualification tested to 150 g
Vibration	MIL-STD-202. Method 213 (150g halfsine, 11 msec)
Media (P1 & P2)	Limited only to those media which will not attack polyetherimide, silicon, fluorosilicone, silicone, EPDM, and neoprene seals.

26PC SERIES ORDER GUIDE

Catalog Listing	Pressure Range (psi)	Linearity (% span)		Null Shift (mV)		Null Offset (mV)			Span Shift (% span)		Span (mV)			Sensitivity mV/psi		Over-pressure psi
		Typ.	Max.	Typ.	Max.	Min.	Typ.	Max.	Typ.	Max.	Min.	Typ.	Max.	Typ.	Max.	
26PCA TYPE	1	0.25	0.5	±0.5	±1.0	-1.5	0	+1.5	±1.0	±2.0	14.7	16.7	18.7	16.7	20	
26PCB TYPE	5	0.4	0.5	±0.5	±1.0	-1.5	0	+1.5	±1.0	±1.5	47	50	53	10.0	20	
26PCC TYPE	15	0.25	0.5	±0.5	±1.0	-1.5	0	+1.5	±0.75	±1.5	97	100	103	6.67	45	
26PCD TYPE	30	0.1	0.2	±0.75	±1.5	-1.5	0	+1.5	±0.75	±1.5	97	100	103	3.33	60	
26PCF TYPE	100	0.1	0.2	±1.0	±2.0	-2.0	0	+2.0	±0.5	±1.5	95	100	105	1.0	200	
26PCJ TYPE	38*	0.1	0.5	±0.7	±1.5	-1.5	0	+1.5	±1.0	±1.5	37.5	39.5	41.5	2.63	60	
26PCK TYPE	38*	0.1	0.5	±0.7	±1.5	-1.5	0	+1.5	±1.0	±1.5	37.5	39.5	41.5	2.63	60	

*Accuracy specifications calculated at 15 psi.

Unamplified

Pressure Sensors

26PC Series

Gage and Differential/Unamplified-Compensated

SENSOR SELECTION GUIDE

2 Product Family	6 Circuit Type	PC Pressure Transducer	B Pressure Range	F* Type of Seal	A Type of Port	2 Termination Style	G Pressure Measurement
2 20PC family	6 Compensated Calibrated		A 1 psi B 5 psi C 15 psi D 30 psi F 100 psi J 38 psi K 38 psi (passivated**)	E EPDM F Fluorosilicone N Neoprene S Silicone	A Straight B Barbed C Luer D Modular H M5 Thread I 90° Port J Needle K Reverse 90° Port L 1/4-28 UNF w/Cable Lock M 1/4 - 28 UNF w/o Cable Lock S Manifold	1 1 x 4 (.400") 2 2 x 2 6 1 x 4 (.600")	G Gage D Differential

Example: 26PCBFA2G

Compensated and calibrated 5 psi sensor with fluorosilicone seal, straight port, 2 x 2 terminals, and Gage pressure measurement.

*Other media seal materials may be available.

**P2 side of die coated for environmental and dielectric protection.

See Accessories Guide, page 27.

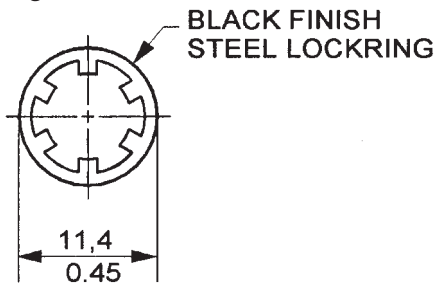
Not all combinations are established.
Contact 800 number before final design.

ACCESSORIES SELECTION GUIDE

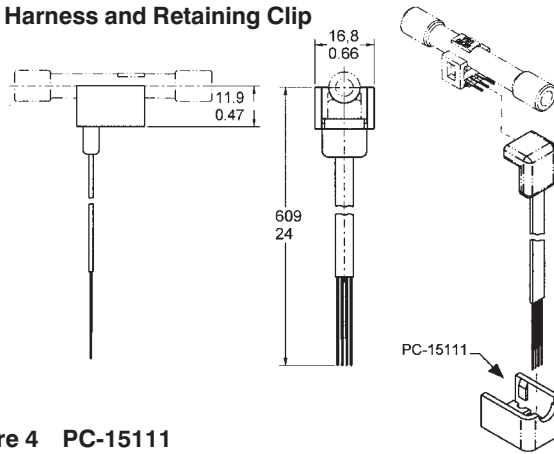
Catalog Listing	Description	Drawing
PC-10182	Steel locking (included with Port Style A, 1 x 4 terminals only) 22, 24, 26PC only	Figure 1
PC-15111	Cable retaining clip for large port Flow-Through sensor only	Figure 4
PC-15110	Single hole plastic bracket	Figure 3
PC-15015	Mounting bracket	Figure 6
PC-15132	Plastic Mounting bracket	Figure 5
20PCWHRC	Flow-Through wire harness and retaining clip	Figure 2
26PCBKT	Mounting bracket for large port Flow-Through sensor only	Figure 7
PC-15202	Mounting bracket for Luer Port	Figure 8
PC-15204	Mounting bracket for Straight Port	Figure 9

Unamplified

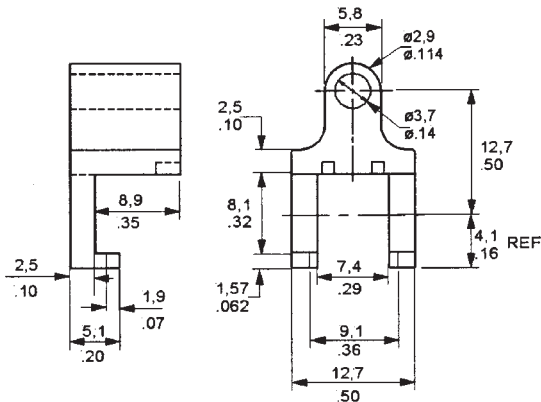
**Figure 1 PC-10182
Steel Lockring**



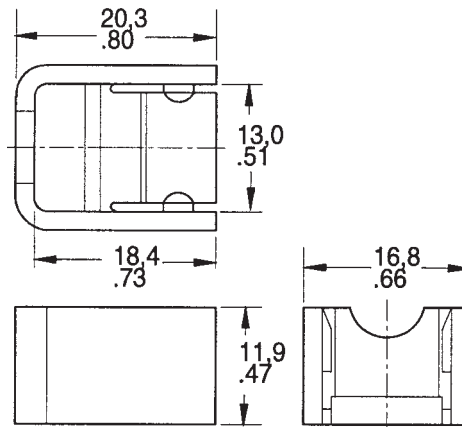
**Figure 2 20PCWHRC
Wire Harness and Retaining Clip**



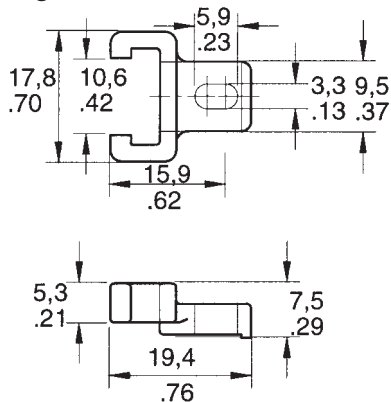
**Figure 3 PC-15110
Single Hole Plastic Bracket**



**Figure 4 PC-15111
Cable Retaining Clip**



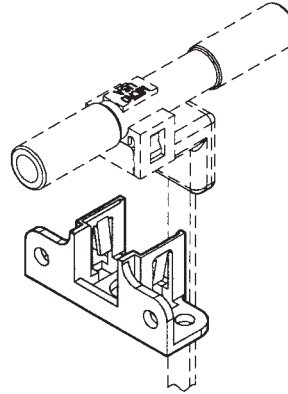
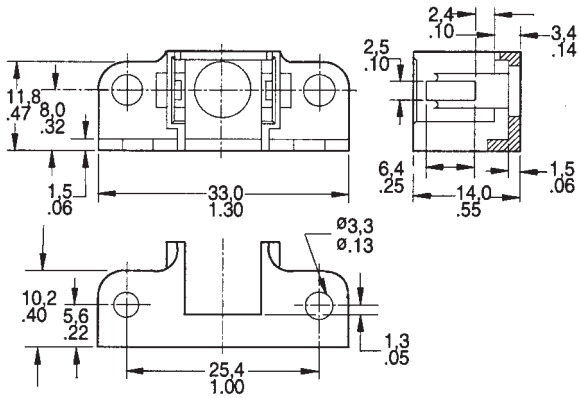
**Figure 5 PC-15132
Plastic Mounting Bracket**



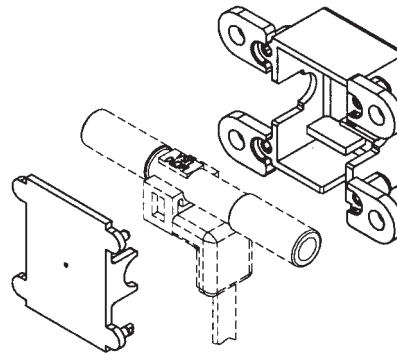
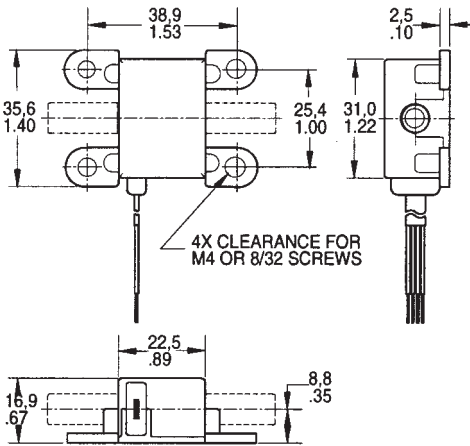
Pressure Sensors Accessories

22/24/26PC Series

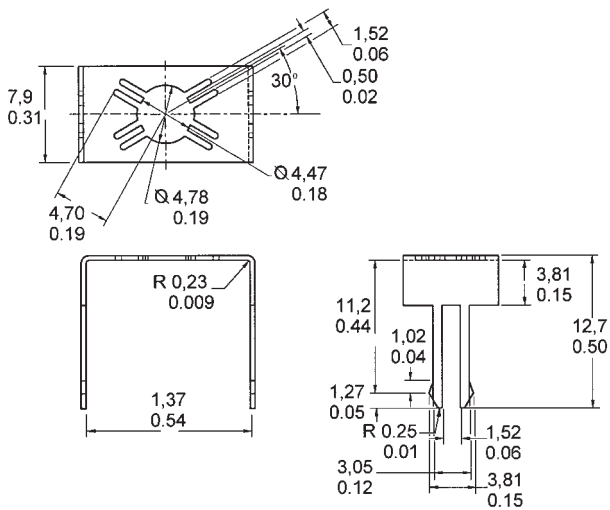
**Figure 6 PC-15015
Mounting Bracket**



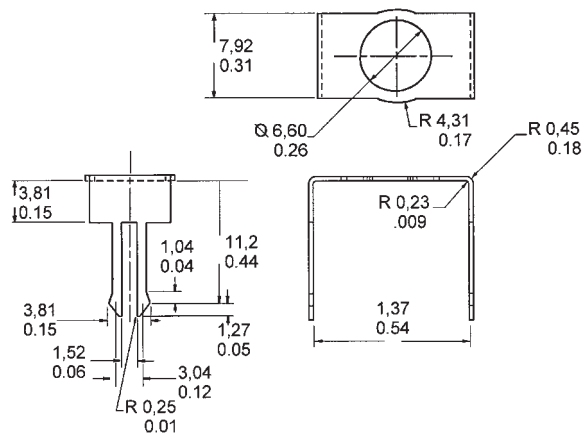
**Figure 7 26PCBKT
For use with N, P Large Ports**



**Figure 8 PC-15202
For use with C Luer Port**



**Figure 9 PC-15204
For use with A Straight Port**



Note: PC-15202 and PC-15204 are Printed Circuit Board mountable and solderable; designed to be used in a .063 thick PC Board with a recommended mounting hole size of .125 ± .005 in.

Gage and Differential/Unamplified

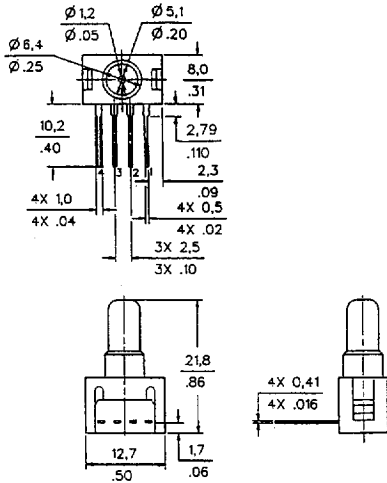
MOUNTING DIMENSIONS (for reference only)

GAGE SENSOR

Pressure is applied to port P2.
Port P1 vents to ambient pressure.

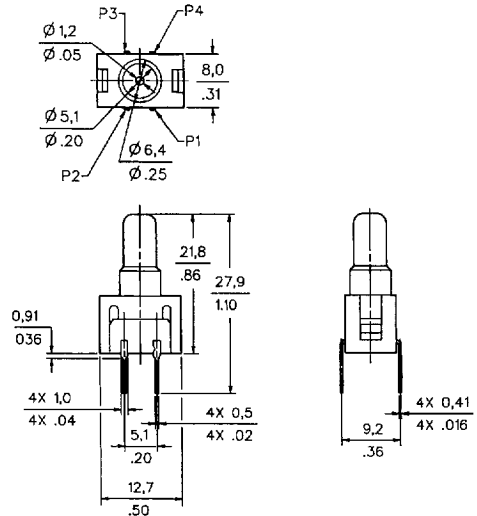
"1 x 4" Termination (Style 1), Port Style A, Straight

Pin 1 is notched, and is shown at the right of the package.
Pin 2 is next to pin 1, etc.



"2 x 2" Termination (Style 2), Port Style A, Straight

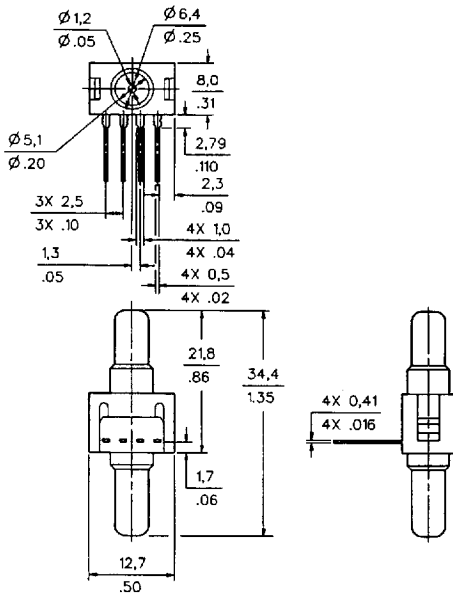
Pin 1 is notched, and is shown at lower right corner.
Pins 2, 3 and 4 are clockwise.



DIFFERENTIAL SENSOR

Straight Port, 1 x 4 termination (Style 2) ONLY

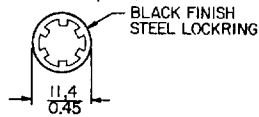
Port P1 is near terminals.



ACCESSORIES

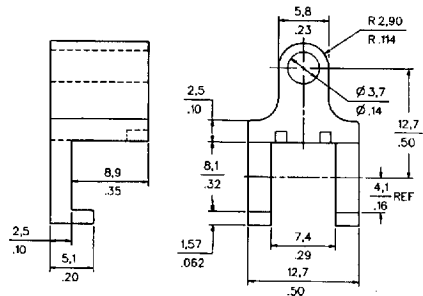
Lockring (included with A port)

PC10182



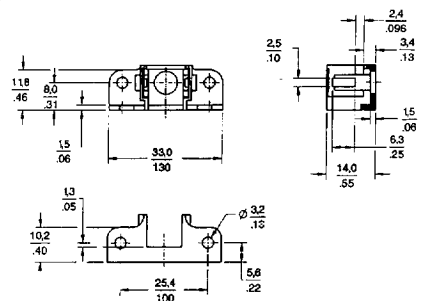
Single hole Plastic Bracket (purchase separately)

PC10949



Dual Port Plastic Bracket (purchase separately)

PC15015



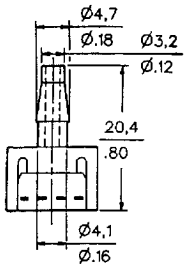
Pressure Sensors

Gage and Differential/Unamplified

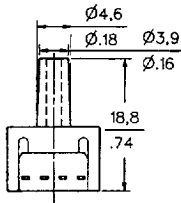
22/24/26PC Series

OTHER GAGE SENSOR PORT STYLES (2 x 2 or 1 x 4 Termination)

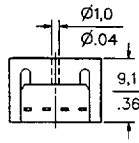
B Barbed



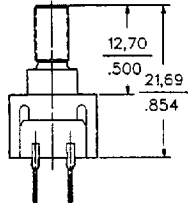
C Luer



D Modular

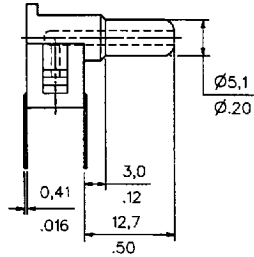


H M5 Thread

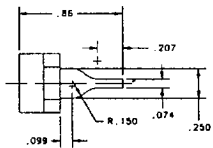


**O-Ring
Size 007
O-Ring Counterbore
.040" deep ±.005 × .30 ±.003"**

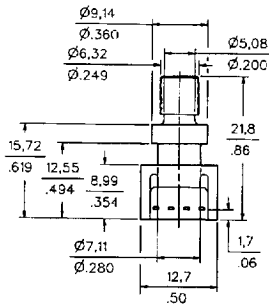
I 90°



J Needle



M 1/4-28 UNF Thread



**O-Ring
Size 009
O-Ring Counterbore
.040" deep ±.002 × .360" ±.003"**

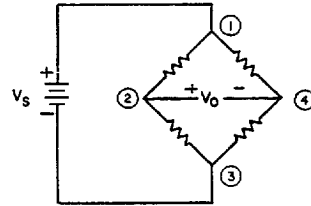
20PC SERIES CIRCUIT - NOTES

1. Circled numbers refer to Sensor Terminals (interface pins).
2. V_0 increases with pressure change.
3. $V_0 = V_2 - V_4$
4. Pin 1 designated with a notch.

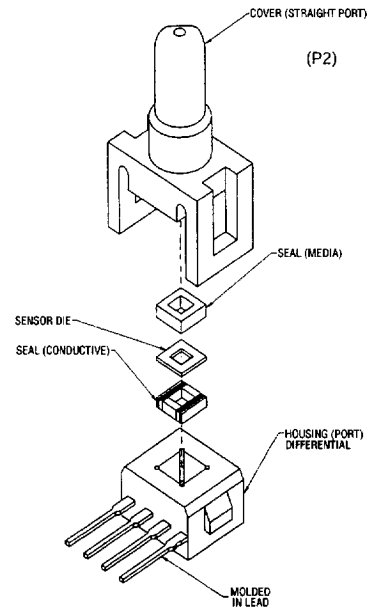
Pin Designation

Pin 1	$V_S (+)$
Pin 2	Output (+)
Pin 3	Ground (-)
Pin 4	Output (-)

EXCITATION



20PC Construction



Unamplified